

### 3 SERIES

- MINIATURE BAYONET NON-GROUNDED LAMPHOLDERS
- 6" WIRE LEADS • BRASS SHELL IN BLACK POLYESTER HOUSING
- MAXIMUM RATING: 75 WATTS, 125 VOLTS
- UL AND CSA RECOGNIZED • UL FILE E20356 • CSA FILE LR 15284-2

#### Overview

The 3 Series lampholders are constructed with a brass shell in a polyester housing. Lampholders are supplied with two 6" wire leads and are non-grounded. Many bracket and mounting options are available including a 15/16" mounting hole plug button and a threaded bushing for 13/32" mounting holes. Lampholders are designed for use with miniature bayonet lamps.

#### Specifications

**Shell:** brass.

**Housing:** black polyester. White housing is also available.

**Wire leads: 6" Leads:** #22 AWG, black & white, stranded copper, PVC insulated, UL/CSA rated 105° C, stripped 1/2". Non-grounded units are supplied with two 6" wire leads. Custom wire lengths, stripping, termination and wire types are also available.

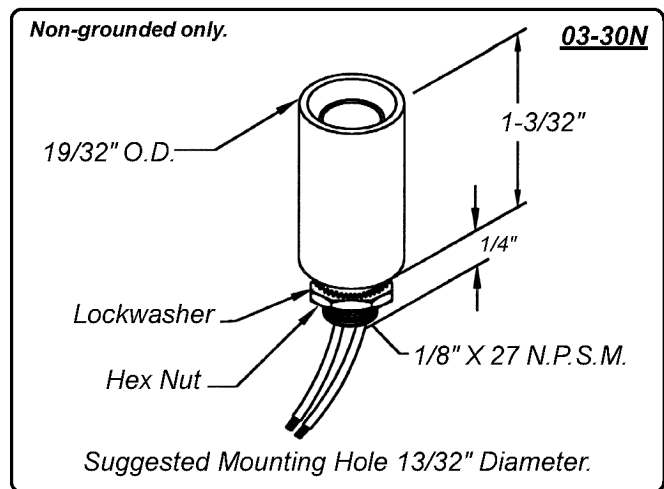
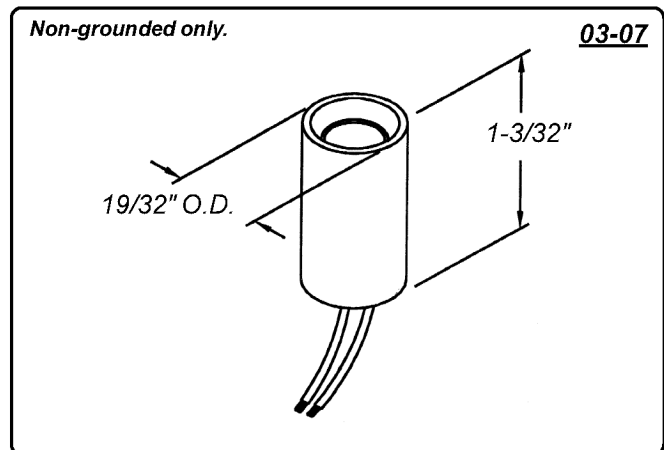
#### Mounting:

**Brackets:** .025" to .032" zinc plated steel. Custom brackets and plating types are available.

**Threaded bushing:** for 13/32" diameter mounting hole. Supplied with lockwasher and hex nut.

**Plug button:** zinc plated steel for 15/16" mounting hole.

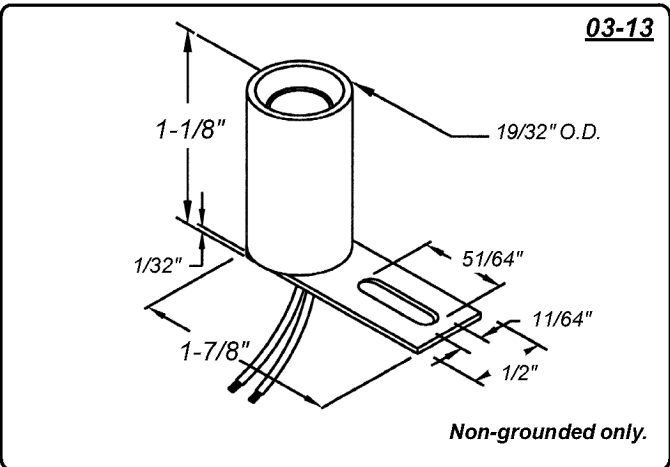
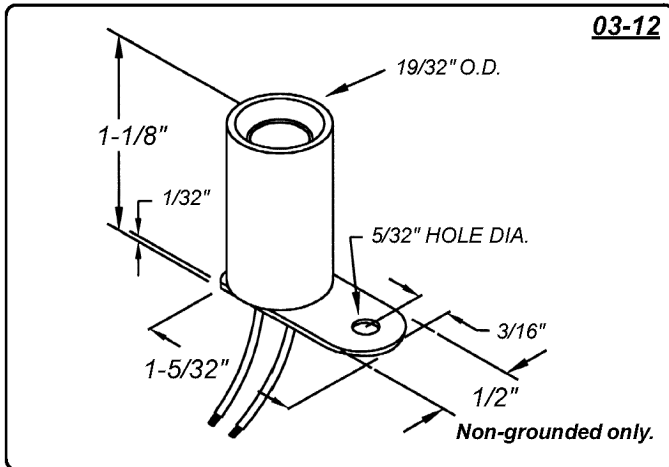
**Maximum rating:** 75 Watts, 125 Volts.



**3 Series**  
**UL & CSA Recognized • Non-Grounded**  
**Maximum Rating: 75 Watts, 125 Volts**

**Brass Shell**  
**6" Wire Leads**  
**Black Polyester Housing**

**Lampholders**



**03-15**  
**03-18**  
**03-82**

19/32" O.D.  
1-1/8"  
1/32"  
"A"

Mounting Hole Diagram  
1"  
13/16"  
9/64"

| Bracket No. | "A" Dimension |
|-------------|---------------|
| -15         | 1-5/32"       |
| -18         | 1-13/32"      |
| -82         | 15/16"        |

Maximum Panel Thickness .045"

Non-grounded only.

